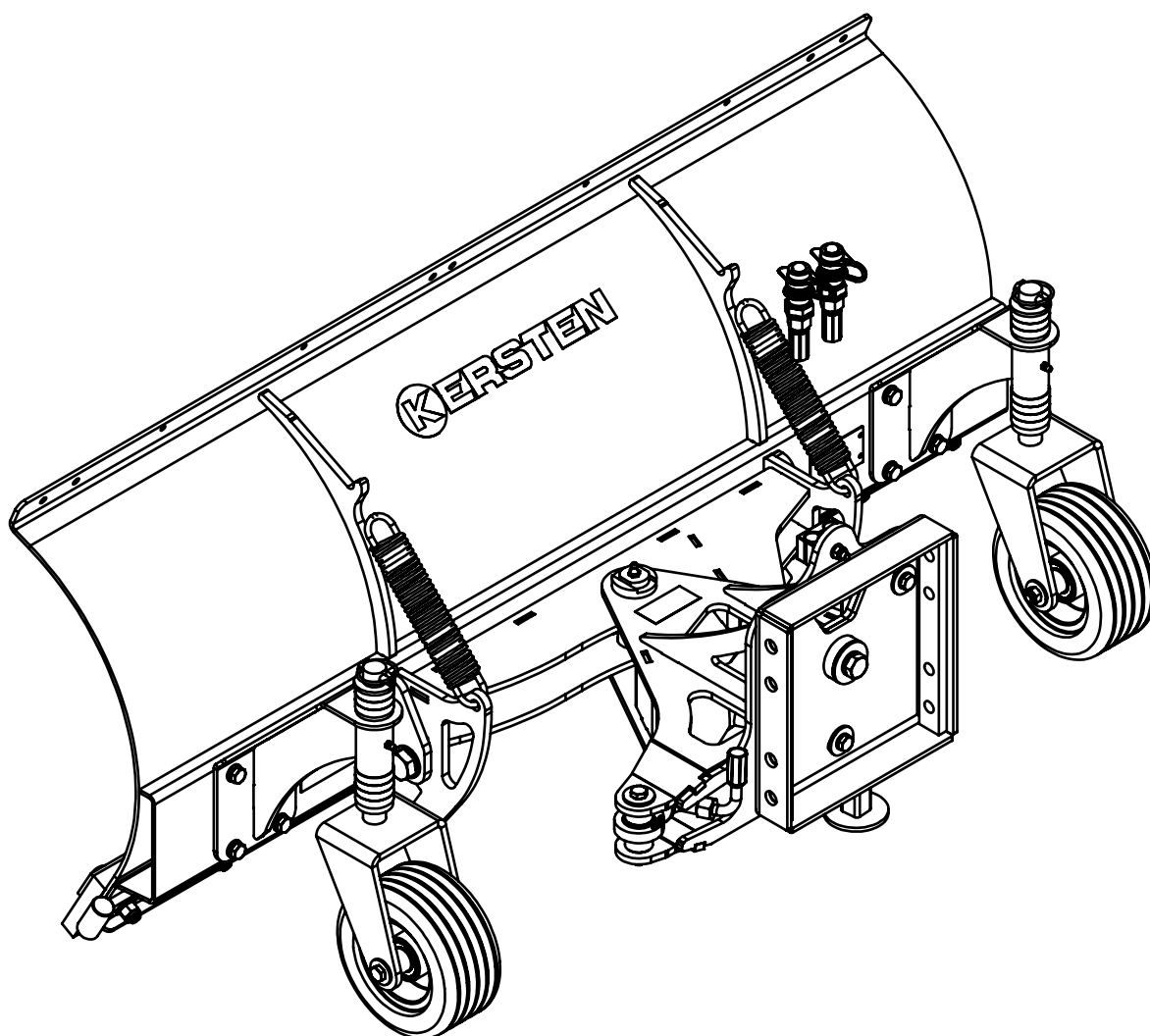


# **KERSTEN**

## Spare part list

60 snow plow, spring-loaded



Order number: E00105 | from machine no. 66664 | Rev: R03 | Status: 06/2022

## **KERSTEN**

Areamachines GmbH  
Empelerstrasse 95  
D-46459 Rees  
[www.kersten-maschinen.de](http://www.kersten-maschinen.de)

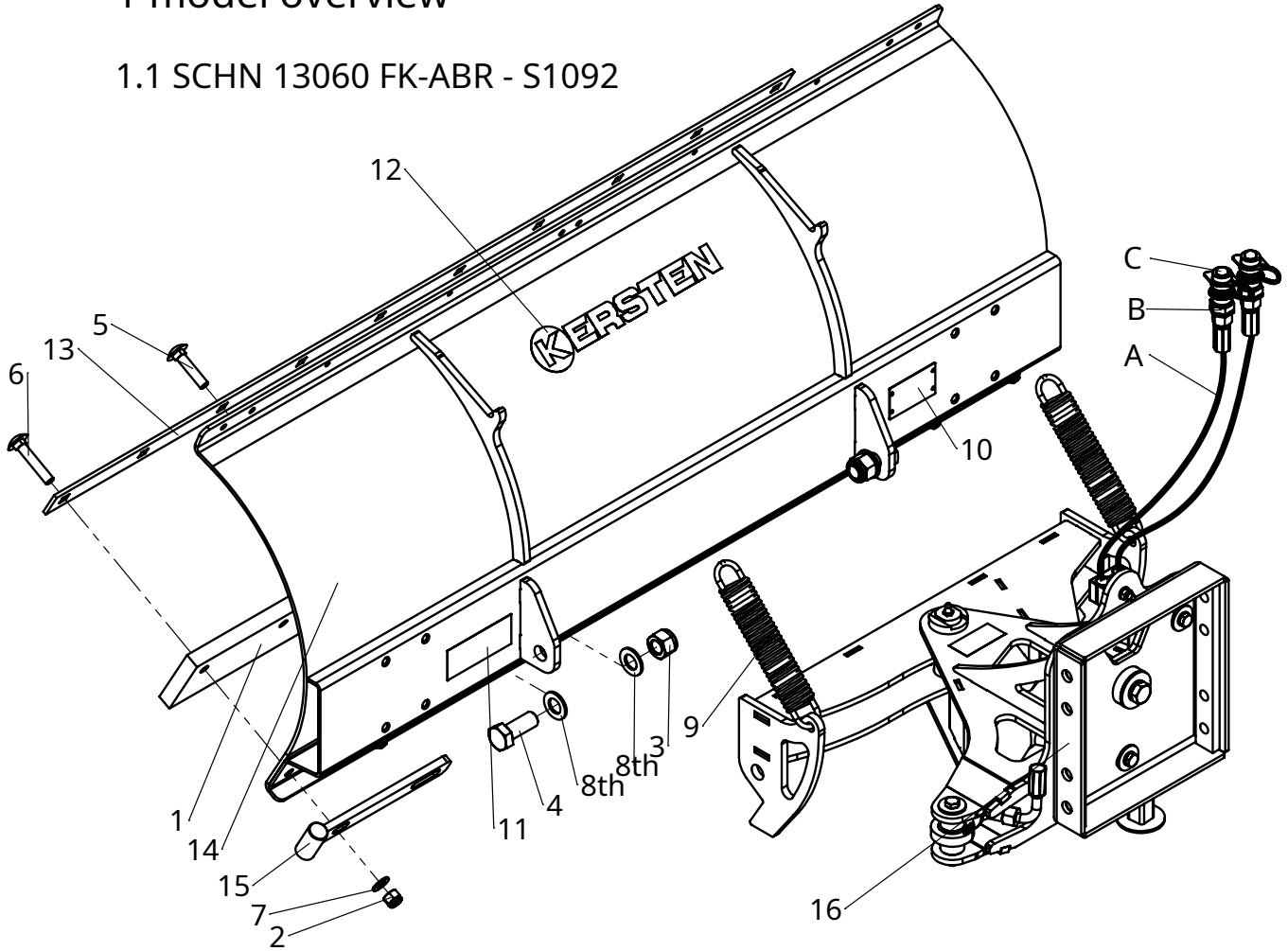
Communication spare parts: Phone:  
+49 (0) 2851 / 9234 19 Fax: +49 (0)  
2851 / 9234 24 [ersatzteile@kersten-  
maschinen.de](mailto:ersatzteile@kersten-maschinen.de)

## Table of contents

1	Model overview	3
1.1	SCHN 13060 FK-ABR - S1092 .....	3
1.2	SCHN 14060 FK-ABR - S1093 .....	4
1.3	SCHN 15060 FK-ABR - S1094 .....	5
1.4	SCHN 16060 FK-ABR - S1095 .....	6
1.5	SCHN 18060 FK-ABR - S1096 .....	7
1.6	SCHN 20060 FK-ABR - S1097 .....	8th
2	Assembly overview	9
2.1	Mounting frame - M00139 .....	9
3	wheels and runners	11
3.1	Wheelset - S1102 .....	11
3.2	Grinding skid set - S1101 .....	12
4	mounting frame	13
4.1	Adaptation 340 drilling template - S1125 .....	13
4.2	Adaptation 175 drilling pattern - S1206 .....	14
4.3	Mounting plate for angle compensation - S1207 .....	15
5	options	16
5.1	Overview of steel scraper bars .....	16
5.2	Overview of PU scraper strips .....	17
5.3	Position lights - S1210 .....	18
5.4	Warning Flags - S1211 .....	19

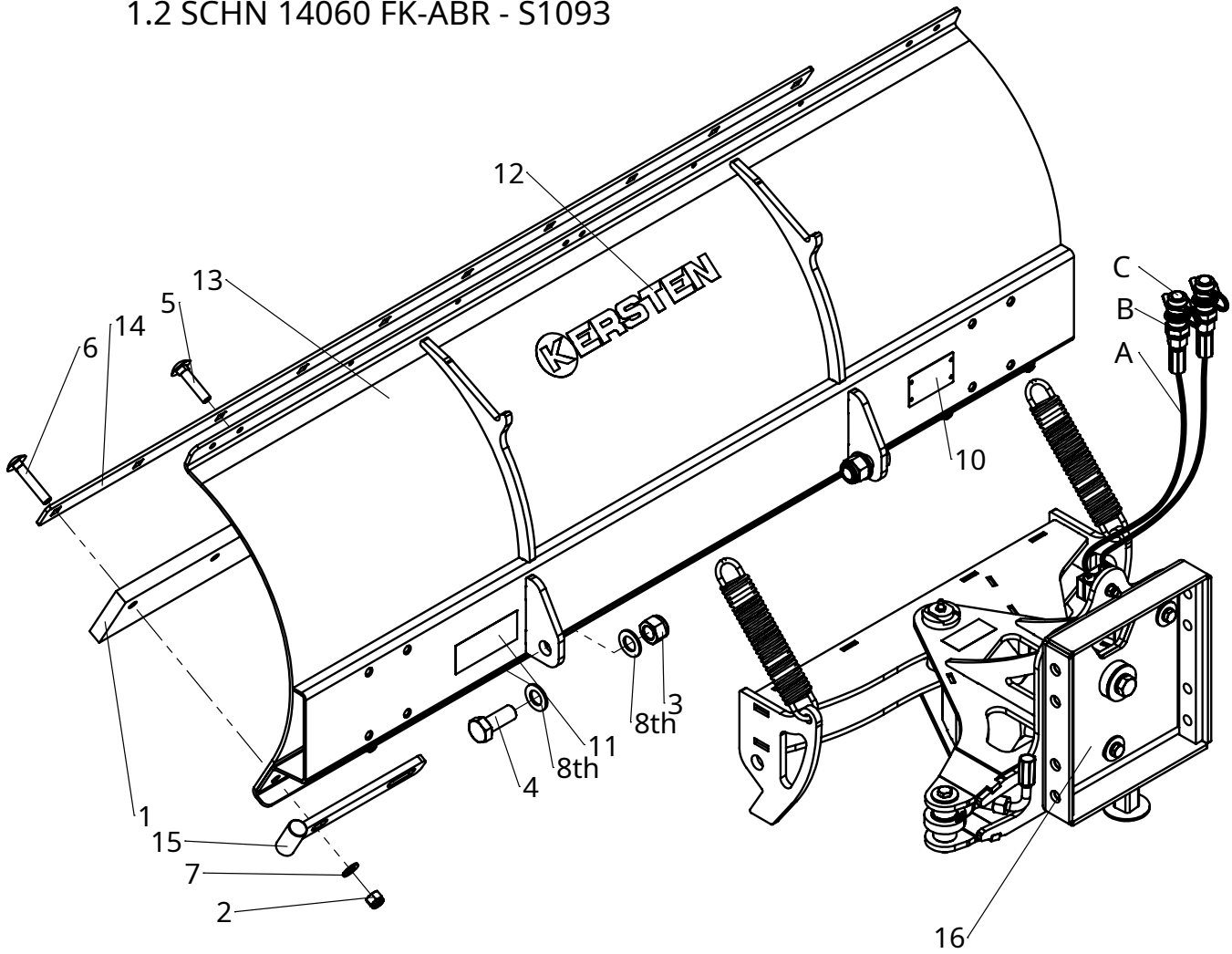
# 1 model overview

## 1.1 SCHN 13060 FK-ABR - S1092



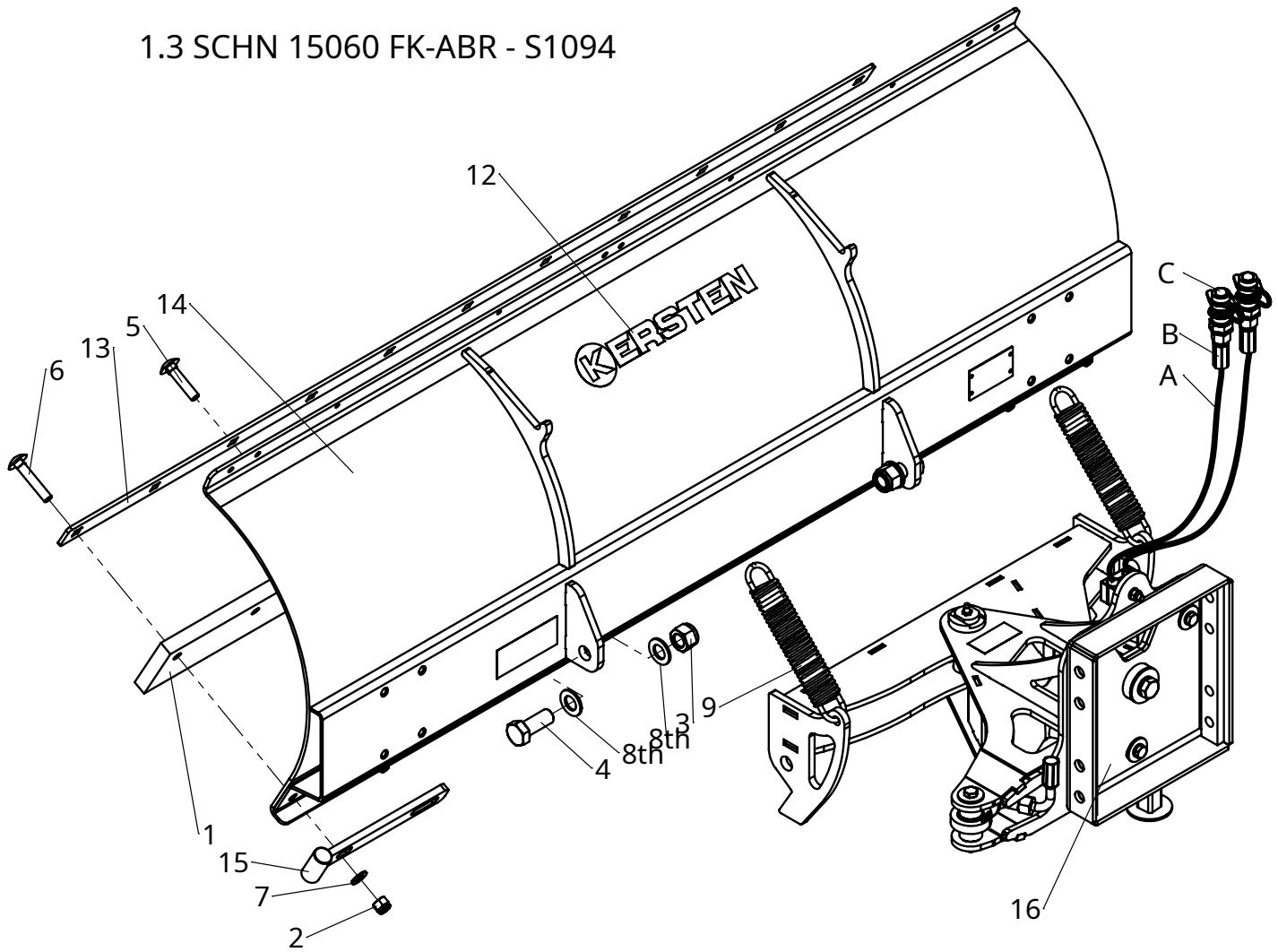
No.	Item No.	no.	designation
1	800 130 005	1	scraper bar
2	900 012 002	10	stop nut
3	900 020 002	2	stop nut
4	901 020 050	2	Hexagon screw without shank
5	901 912 055	6	carriage bolt
6	901 912 065	4	carriage bolt
7	905 112 000	10	washer
8th	905 120 000	4	washer
9	909 200 322	2	tension spring
10	950 900 070	1	Nameplate - Kersten
11	950 900 090	1	Sticker security
12	950 900 100	1	candle sticker
13	C0713 3	1	retaining rail scraper bar
14	C0714 2	1	130 snow blade complete
15	C1158 9	2	collision protection compl.
16	M00139	1	mounting frame
<b>hydraulic hoses</b>			
No.	Item No .	Ana	naming
A	on request a ge	2	Hydraulic hose depending on the tractor
B	on request	2	Hydraulic connector depends on the tractor
C	on request a ge	2	Dust cap depending on the tractor

1.2 SCHN 14060 FK-ABR - S1093



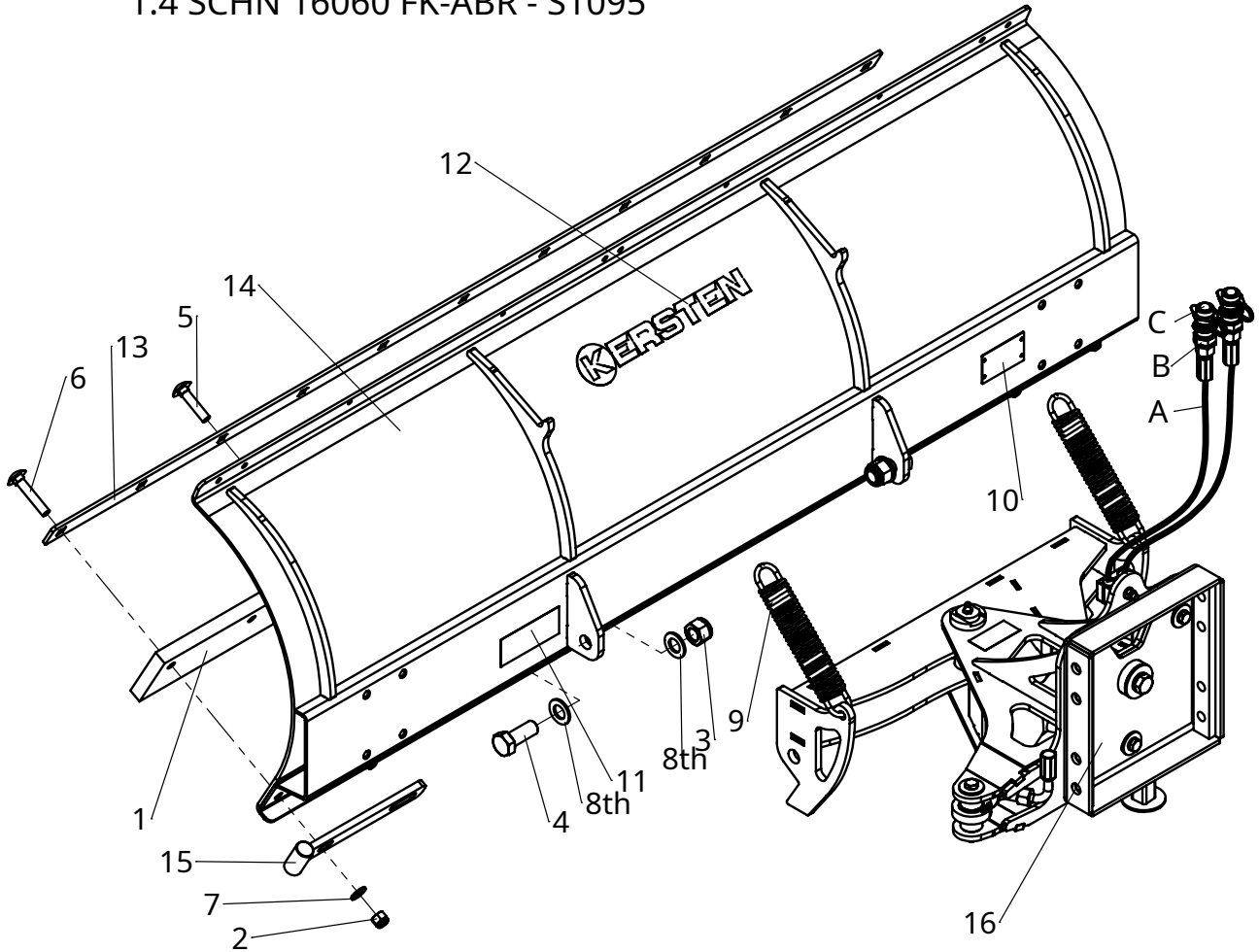
No.	Item No.	no.	designation
1	800 140 108	1	Robalon-S scraper bar
2	900 012 002	10	stop nut
3	900 020 002	2	stop nut
4	901 020 050	2	Hexagon screw without shank
5	901 912 055	6	carriage bolt
6	901 912 065	4	carriage bolt
7	905 112 000	10	washer
8th	905 120 000	4	washer
9	909 200 322	2	tension spring
10	950 900 070	1	Nameplate - Kersten
11	950 900 090	1	Sticker security
12	950 900 100	1	candle sticker
13	C0655 4	1	140 snow blade complete
14	C0670 0	1	retaining rail scraper bar
15	C1158 9	2	collision protection compl.
16	M00139	1	mounting frame
hydraulic hoses			
No.	Item No .	Ana	naming
A	on request a ge	2	Hydraulic hose depending on the tractor
B	on request	2	Hydraulic connector depends on the tractor
C	on request a ge	2	Dust cap depending on the tractor

1.3 SCHN 15060 FK-ABR - S1094



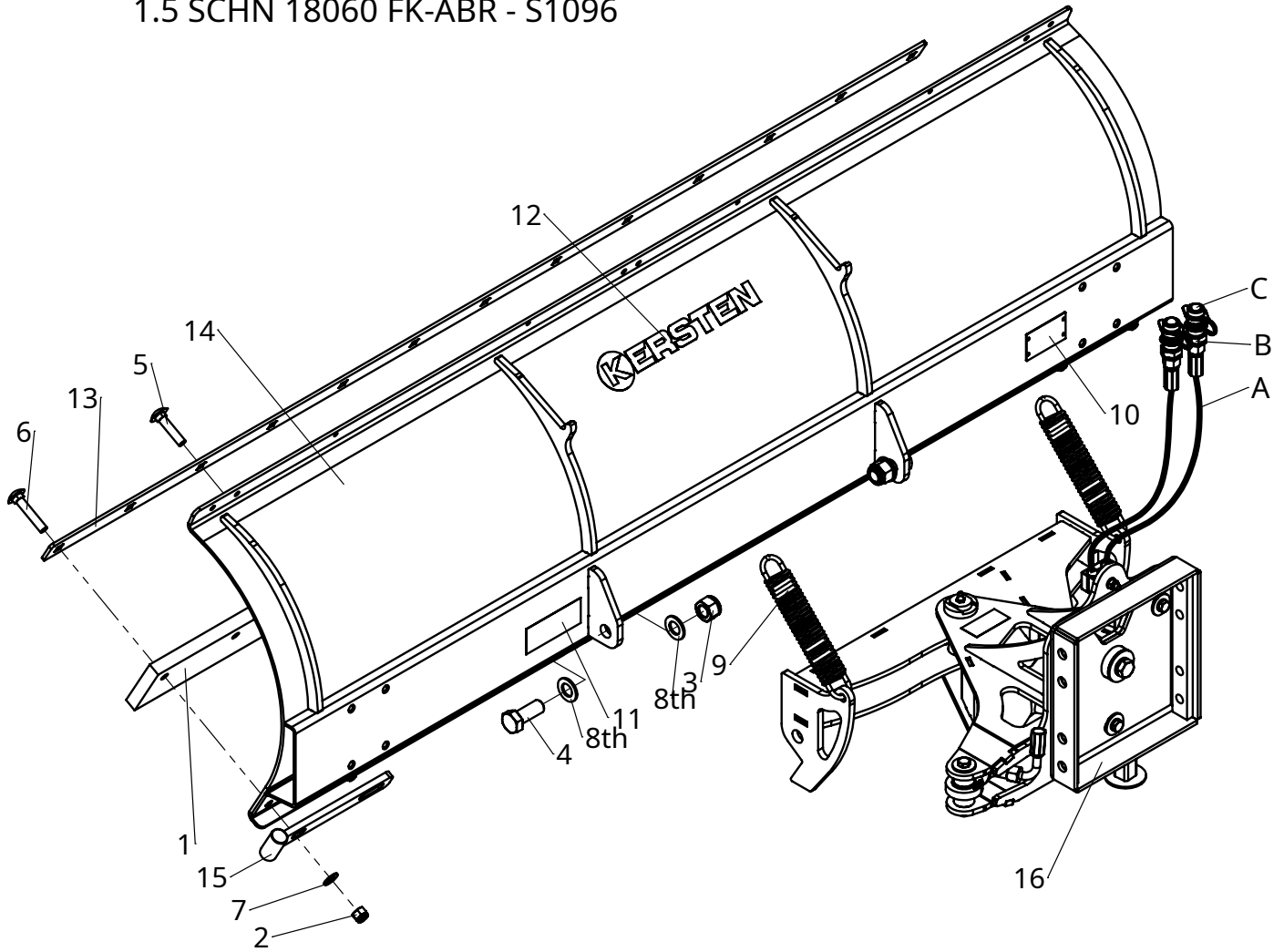
No.	Item No.	no.	designation
1	800 150 005	1	scraper bar
2	900 012 002	11	stop nut
3	900 020 002	2	stop nut
4	901 020 050	2	Hexagon screw without shank
5	901 912 055	7	carriage bolt
6	901 912 065	4	carriage bolt
7	905 112 000	11	washer
8th	905 120 000	4	washer
9	909 200 322	2	tension spring
10	950 900 070	1	Nameplate - Kersten
11	950 900 090	1	Sticker security
12	950 900 100	1	candle sticker
13	C0713 1	1	retaining rail scraper bar
14	C0713 9	1	150 snow plow complete
15	C1158 9	2	collision protection compl.
16	M00139	1	mounting frame
hydraulic hoses			
No.	Item No .	Ana	naming
A	on request age	2	Hydraulic hose depending on the tractor
B	on request	2	Hydraulic connector depends on the tractor
C	on request age	2	Dust cap depending on the tractor

1.4 SCHN 16060 FK-ABR - S1095



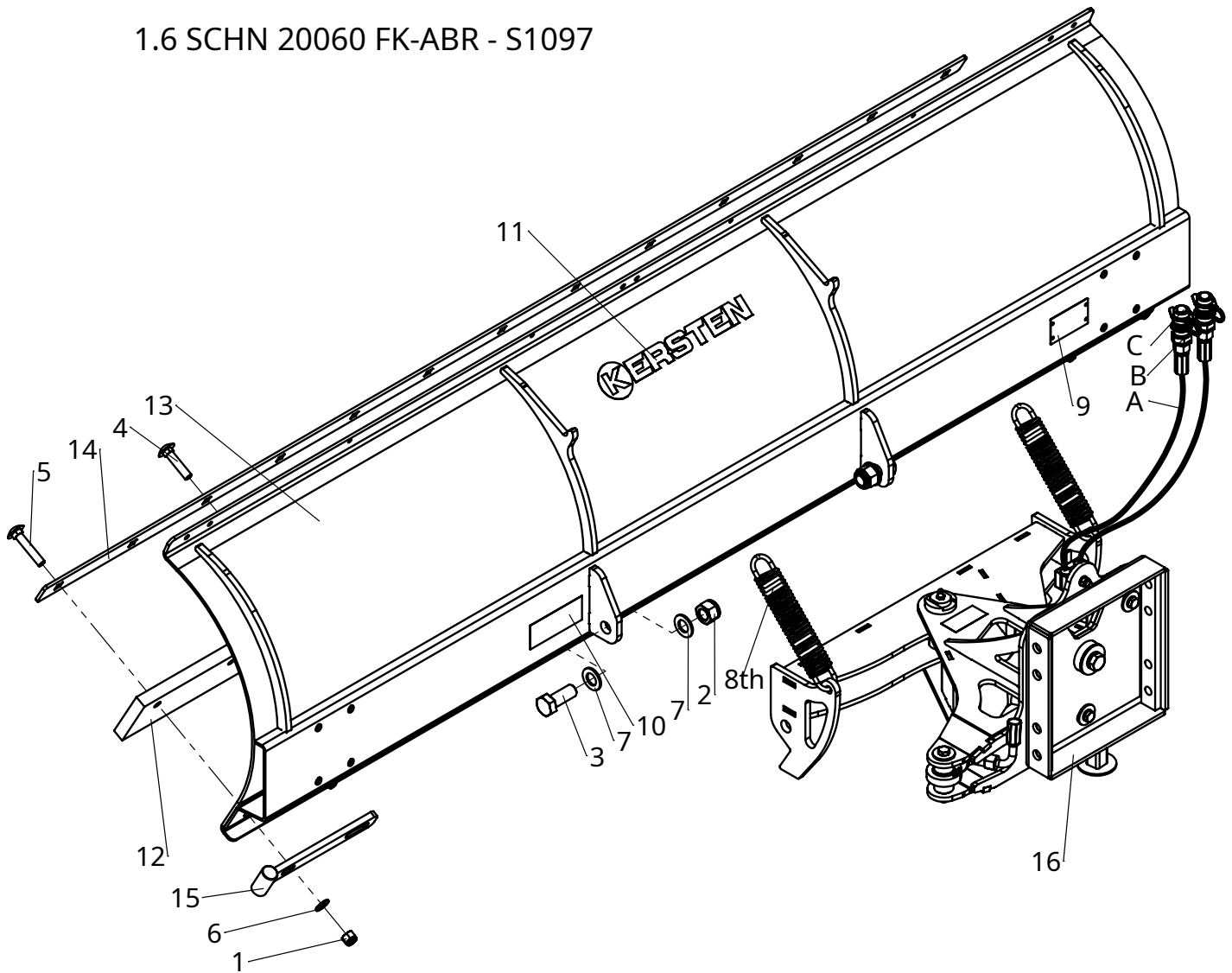
No.	Item No.	no.	designation
1	800 160 005	1	Robalon-S scraper bar
2	900 012 002	11	stop nut
3	900 020 002	2	stop nut
4	901 020 050	2	Hexagon screw without shank
5	901 912 055	7	carriage bolt
6	901 912 065	4	carriage bolt
7	905 112 000	11	washer
8th	905 120 000	4	washer
9	909 200 322	2	tension spring
10	950 900 070	1	Nameplate - Kersten
11	950 900 090	1	Sticker security
12	950 900 100	1	candle sticker
13	C1028 5	1	retaining rail scraper bar
14	C1029 5	1	160 snow blade complete
15	C1158 9	2	collision protection compl.
16	M00139	1	mounting frame
<b>hydraulic hoses</b>			
No.	Item No .	Ana	naming
A	on request a ge	2	Hydraulic hose depending on the tractor
B	on request	2	Hydraulic connector depends on the tractor
C	on request a ge	2	Dust cap depending on the tractor

1.5 SCHN 18060 FK-ABR - S1096



No.	Item No.	no.	designation
1	800 180 005	1	Robalon scraper bar
2	900 012 002	13	stop nut
3	900 020 002	2	stop nut
4	901 020 050	2	Hexagon screw without shank
5	901 912 055	9	carriage bolt
6	901 912 065	4	carriage bolt
7	905 112 000	13	washer
8th	905 120 000	4	washer
9	909 200 322	2	tension spring
10	950 900 070	1	Nameplate - Kersten
11	950 900 090	1	Sticker security
12	950 900 100	1	candle sticker
13	C0713 2	1	retaining rail scraper bar
14	C0714 5	1	180 snow blade complete
15	C1158 9	2	collision protection compl.
16	M00139	1	mounting frame
<b>hydraulic hoses</b>			
No.	Item No .	Ana	naming
A	on request a ge	2	Hydraulic hose depending on the tractor
B	on request	2	Hydraulic connector depends on the tractor
C	on request a ge	2	Dust cap depending on the tractor

1.6 SCHN 20060 FK-ABR - S1097

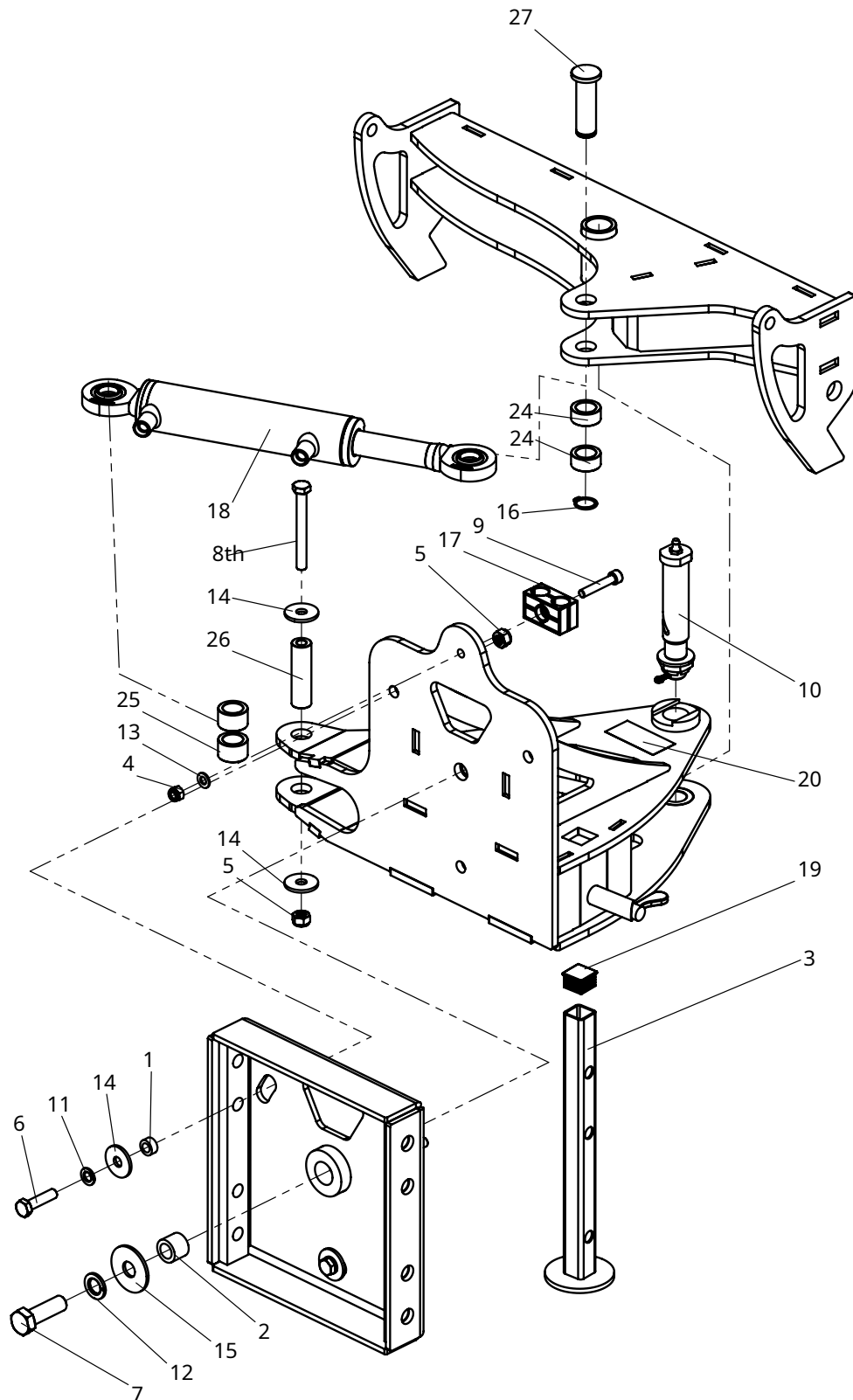


No.	Item No.	no.	designation
1	900 012 002	13	stop nut
2	900 020 002	2	stop nut
3	901 020 050	2	Hexagon screw without shank
4	901 912 055	9	carriage bolt
5	901 912 065	4	carriage bolt
6	905 112 000	13	washer
7	905 120 000	4	washer
8th	909 200 322	2	tension spring
9	950 900 070	1	Nameplate - Kersten
10	950 900 090	1	Sticker security
11	950 900 100	1	candle sticker
12	C0039 7	1	Robalon-S scraper bar
13	C0704 9	1	200 snow blade complete
14	C0712 9	1	retaining rail scraper bar
15	C1158 9	2	collision protection compl.
16	M00139	1	mounting frame
<b>hydraulic hoses</b>			
No.	Item No .	Ana	naming
A	on request a ge	2	Hydraulic hose depending on the tractor
B	on request	2	Hydraulic connector depends on the tractor
C	on request a ge	2	Dust cap depending on the tractor



## 2 Assembly overview

### 2.1 Attachment frame - M00139

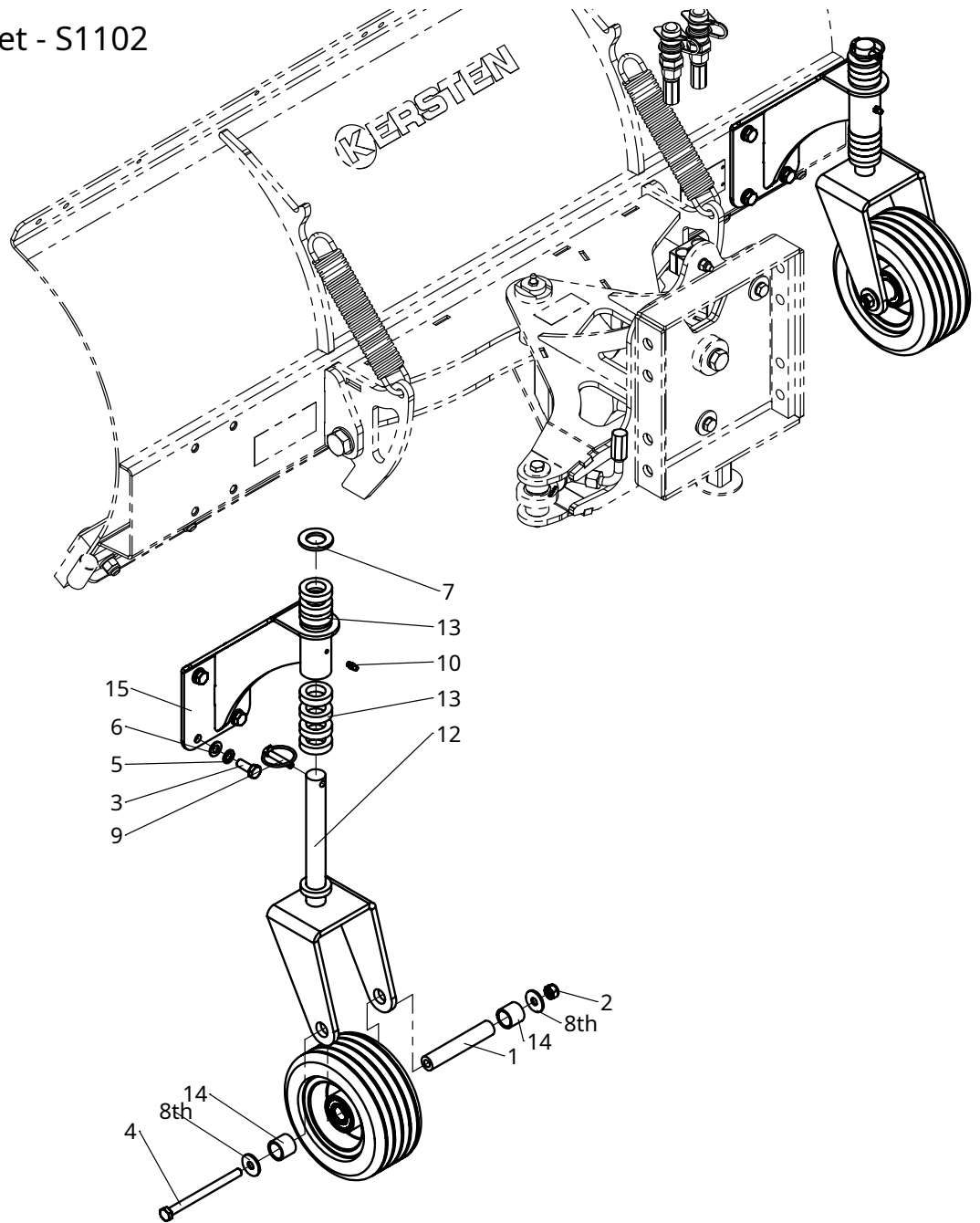


## Anba frame - M00139

<b>N<sub>right</sub></b>	<b>Item No.</b>	<b>no.</b>	<b>designation</b>
1	705 166 107	3	Rifle
2	705 251 620	1	sintered bush
3	<del>800</del> 150 010	1	support stand compl.
4	900 008 002	1	stop nut
5	900 010 002	4	stop nut
6	901 010 040	3	Hexagon screw without shank
7	901 016 050	1	Hexagon screw without shank
8th	901 110 090	1	Hex head screw with shank
9	901 808 045	1	Cylindrical screw with socket
10	903 220 015	1	Spring bolt FB26
11	905 010 000	3	spring washer
12	905 016 000	1	spring washer
13	905 108 000	1	washer
14	905,211,000	5	K disc
15	905,216,000	1	K disc
16	905 920 000	1	circlip outside
17	908 603 017	1	Pipe clamp double
18th	933 103 010	1	hydraulic cylinder
19	943 125 252	1	protective cap
20	999 049 000	1	Label lubrication point
24	C06689	2	spacer bush
25	C06690	2	spacer bush
26	C06708	1	spacer sleeve
27	C12218	1	socket pin

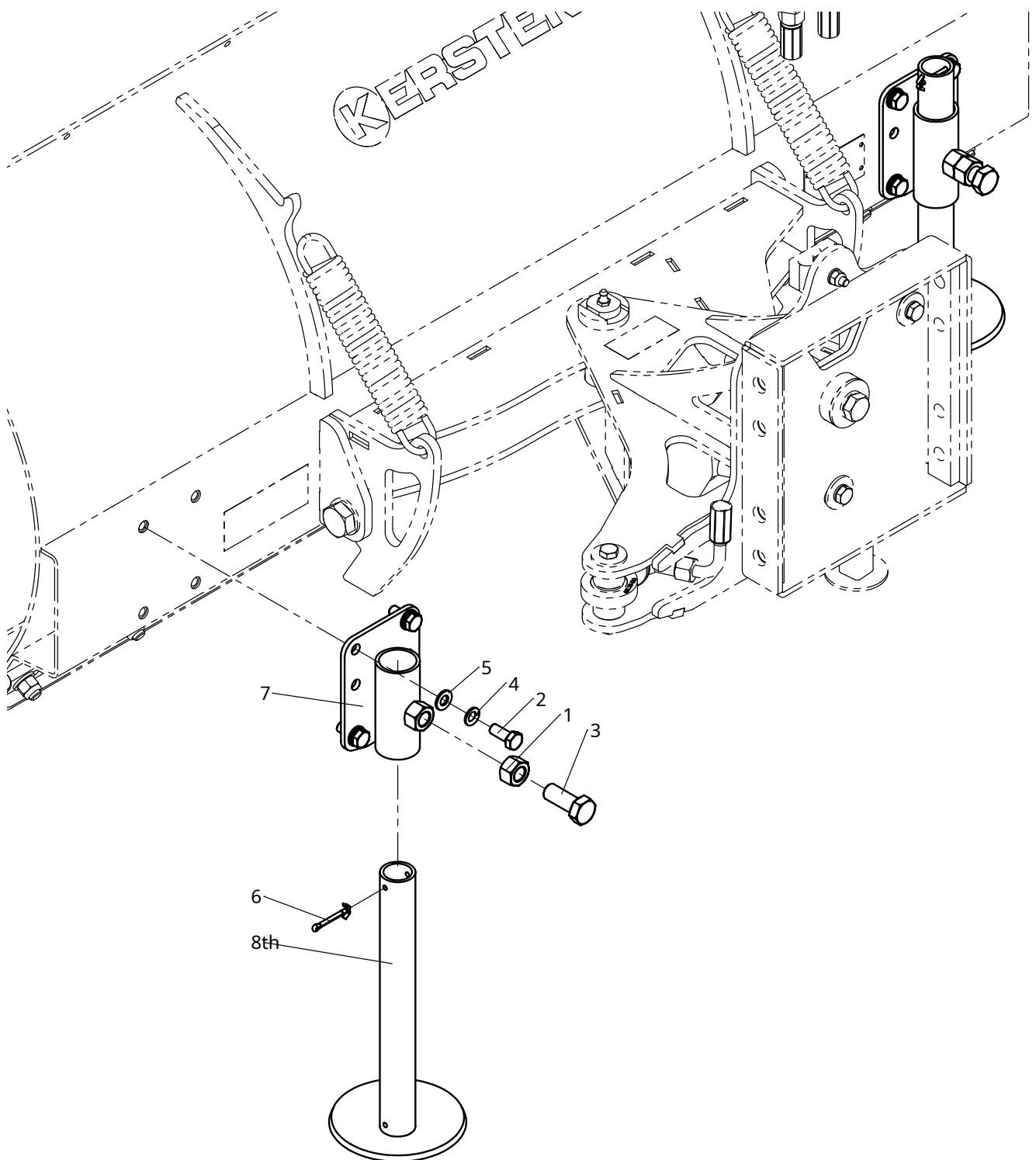
### 3 wheels and runners

#### 3.1 wheelset - S1102



No.	Art.-N <sup>right</sup> no.	designation
1	705 205 113	2 wheel axle
2	900 010 002	2 stop nut
3	901 010 025	8th Hexagon screw without shank
4	901 110 130	2 Hex head screw with shank
5	905 010 000	8th spring washer
6	905 110 000	8th washer
7	905 125 000	2 washer
8th	905 210 000	4 K disc
9	907 108 000	2 linch pin
10	910 006 000	2 grease nipple
11	926 300 180	2 Wheel
12	950 010 005	2 wheel fork
13	950 010 006	14 spacer ring
14	950 050 209	4 spacer sleeve
15	C06558	2 Wheel holder complete

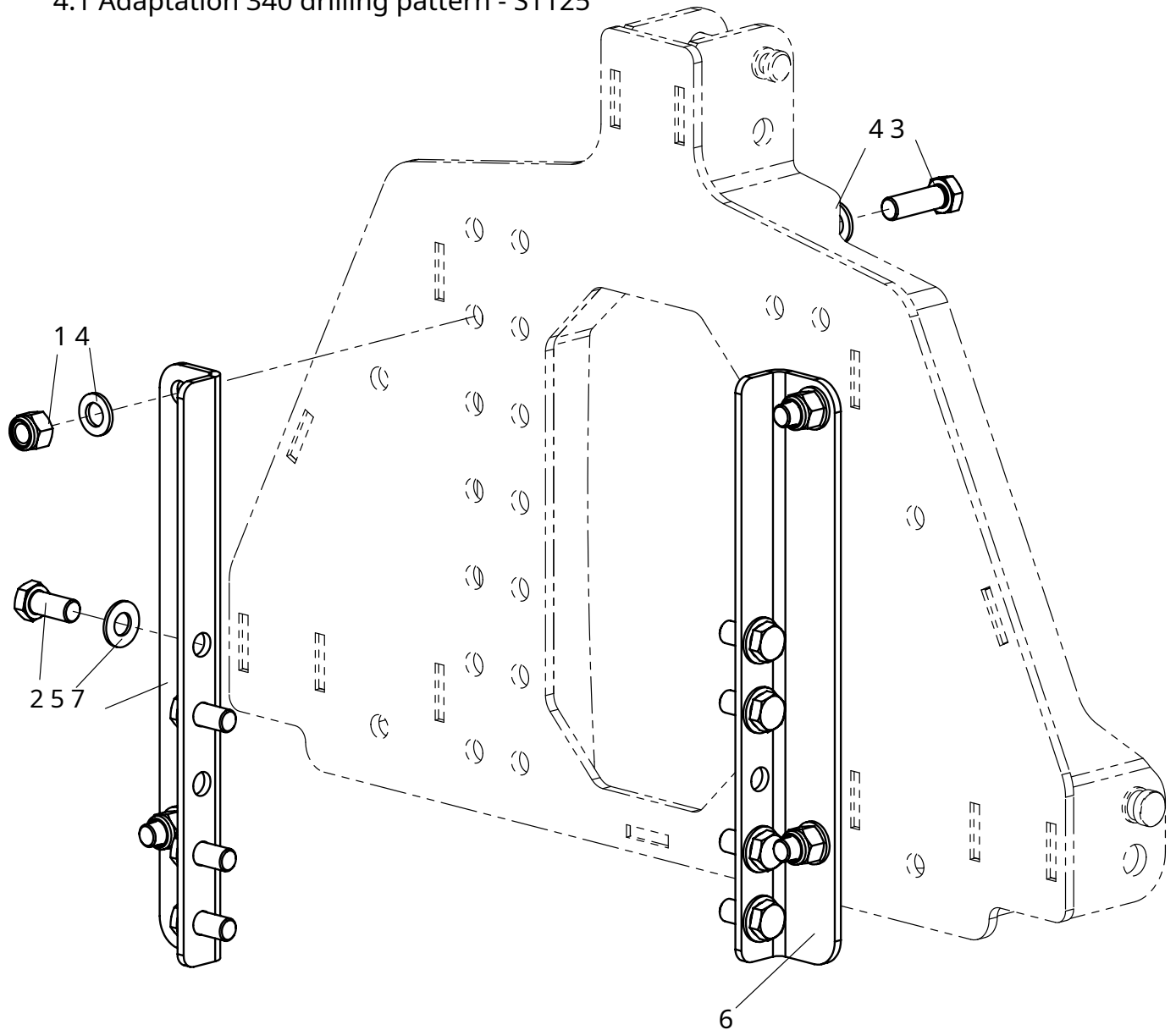
## 3.2 Grinding skid set - S1101



No.	Art.-N <sup>right</sup> no.		designation
1	900 016 001	2	Skt. nut
2	901 010 025	8th	Hexagon screw without shank
3	901 016 040	2	Hexagon screw without shank
4	905 010 000	8th	spring washer
5	905 110 000	8th	washer
6	907 204 050	2	split pin
7	C06559	2	Skid holder complete
8th	C06585	2	Skid plate large plate complete

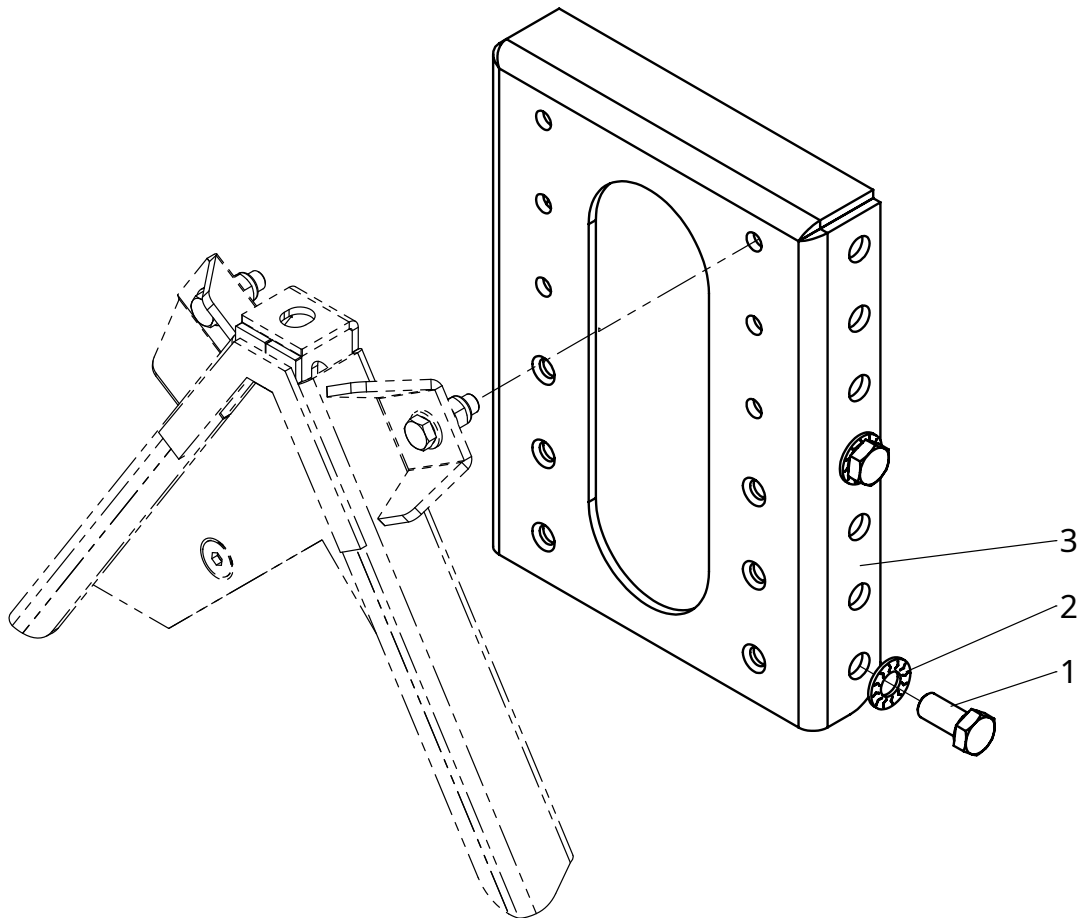
## 4 mounting frames

### 4.1 Adaptation 340 drilling pattern - S1125



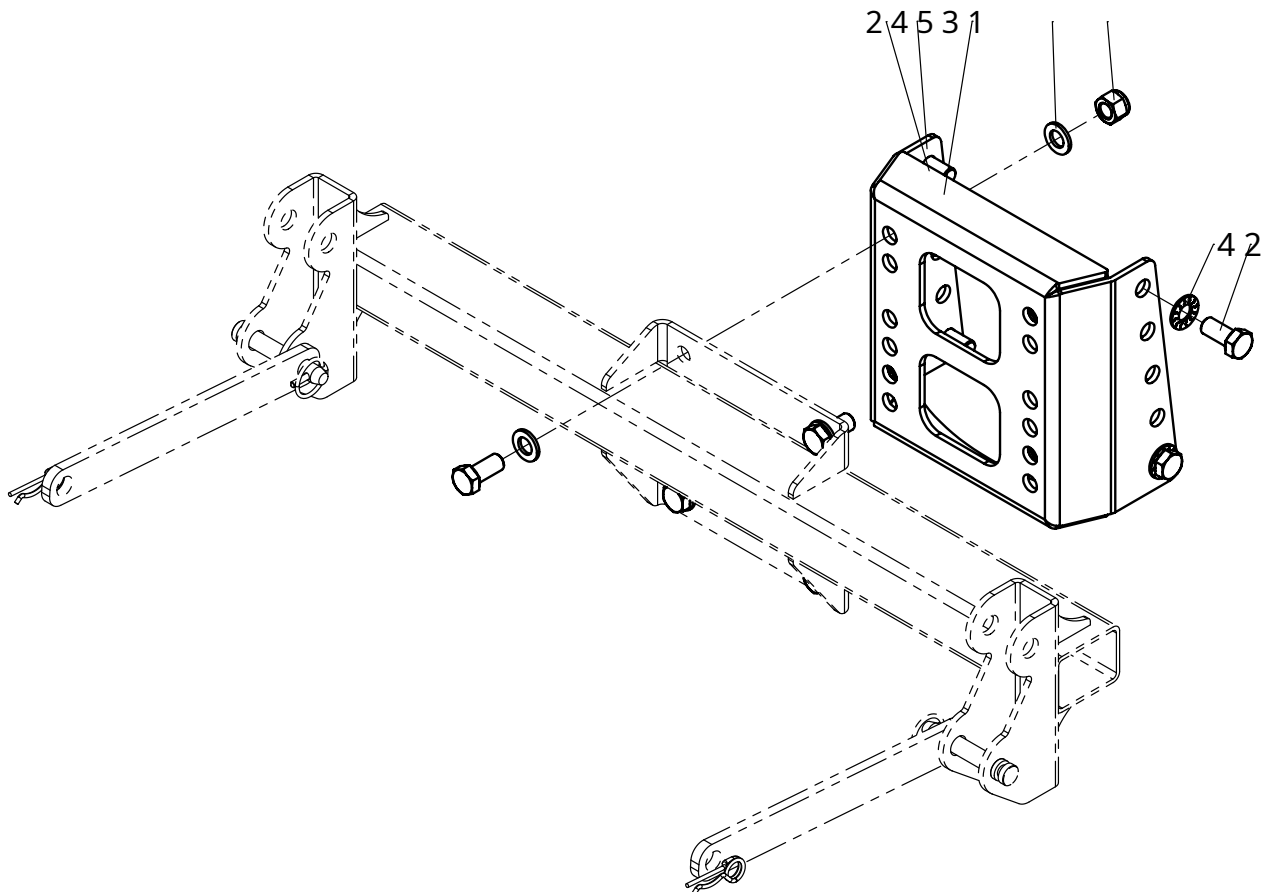
No.	Art.-N <sup>right</sup> no.		designation
1	900 016 002	4	stop nut
2	901 016 035	8th	Hexagon screw without shank
3	901 016 050	4	Hexagon screw without shank
4	905 116 000	8th	washer
5	905 516 000	8th	locking washer
6	C1206 8th	1	left angle
7	C12069	1	angle right
8th	E00104	1	Mounting situation see compatibility list
Compatible mounting frames			
Item No.	naming		
S1140	Mounting frame cat. 1/2 light		
S1148	Mounting frame cat. 1 heavy		
S1167	Mounting frame for interchangeable mounting with wide height compensation		
S1168	Mounting frame for interchangeable mounting with narrow height compensation		

## 4.2 Adaptation of 175 hole pattern - S1206



No.	Art.-N <sub>right</sub>	Ana	designation
1	901 016 035	4	Hexagon screw without shank
2	905 516 000	4	locking washer
3	C1050 0	1	Mounting plate light
4	E00104	1	Mounting situation see compatibility list
compatibility list			
kind	No	designation	
	S1141	Cat. 1 triangle	
	S1146	Attachment frame three-point linkage Cat. 1N	
	S1147	Mounting frame three-point linkage Cat. 1 - light	
	S1151	Mounting frame light for Multicar/Hako	
	S1153	Mounting plate Multicar Tremo	
	S1154	Cupola triangle cat. Kersten	
	S1155	Coupling triangle Cat. Municipal with light locking mechanism	
	S1156	Coupling triangle Cat. Municipal with screw lock light	
	S1159	Coupling triangle LM-Trac	
	S1161	Attachment triangle Egholm Park Ranger	
	S1164	Dome triangle Holder X30	
	S1169	Attachment frame area mower (2 - point) Grillo FD 13.09	
	S1181	Attachment frame area mower (2 - point) Iseki SF 224-235	
	S1204	Mounting frame Holder Muvo	
	S1209	Attachment frame 175/200 hole pattern Grillo FD 2200 TS	
	S1233	Attachment frame area mower (2 - point) Iseki SF 438 / SF 450 & 544 / 551	

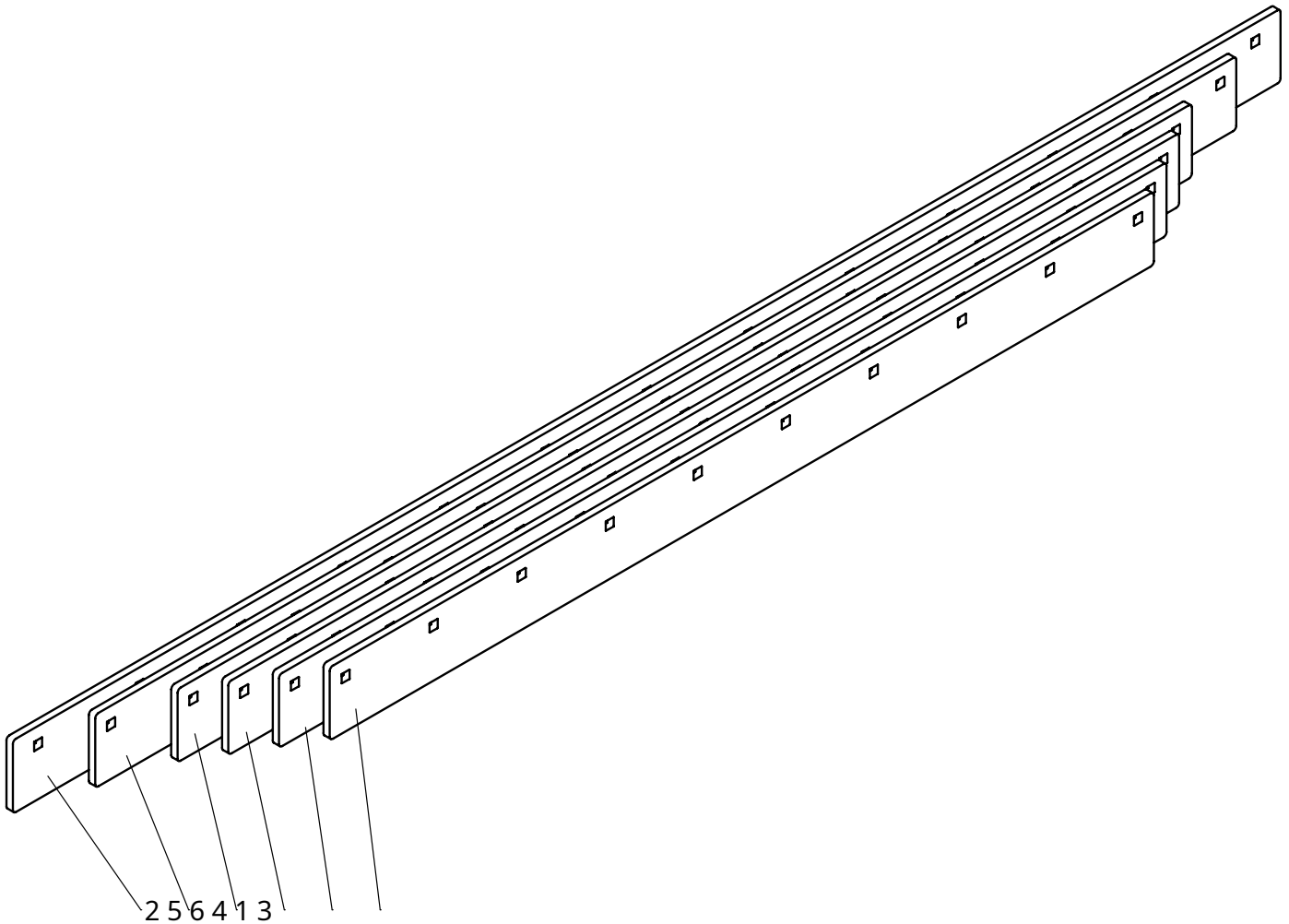
## 4.3 Mounting plate for angle compensation - S1207



No.	Art.-N <sub>right</sub> A	na	designation
1	900 016 002	4	stop nut
2	901 016 035	8th	Hexagon screw without shank
3	905 116 000	8th	washer
4	905 516 000	4	locking washer
5	C05777	1	Snow shield mounting plate
<b>compatibility list</b>			
<b>Art. N<sub>right</sub></b>	<b>naming</b>		
S1208th	Attachment frame 60 snow plow Grillo FD 900		

## 5 options

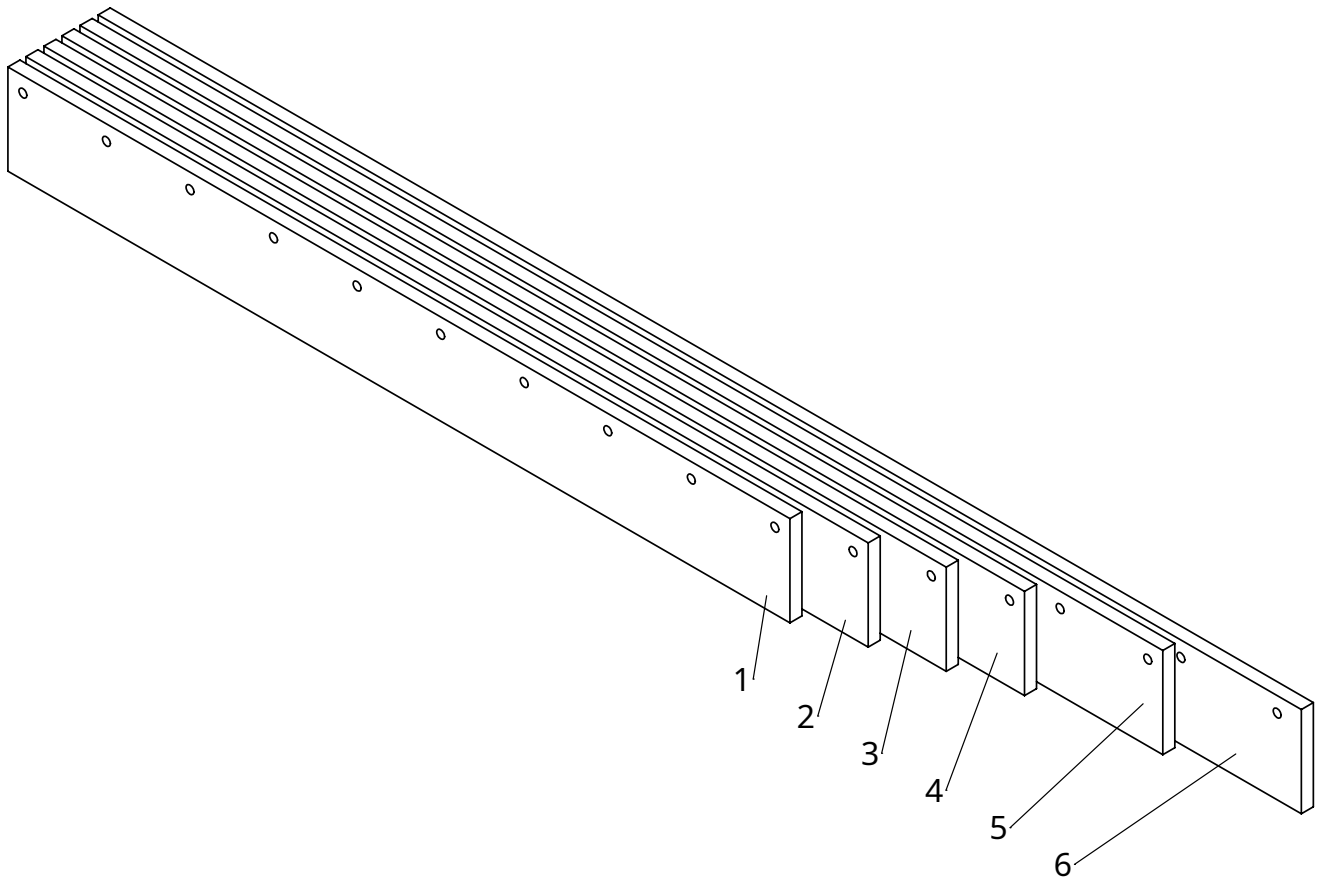
### 5.1 Overview of steel scraper bars



No.	Item No.	no.	designation
1	C06553	1	Steel scraper bar 140
2	C0705 2	1	Steel scraper bar 200
3	C0713 4	1	Steel scraper bar 130
4	C0713 5	1	Steel scraper bar 150
5	C0713 6	1	Steel scraper bar 180
6	C1028 7	1	Steel scraper bar 160

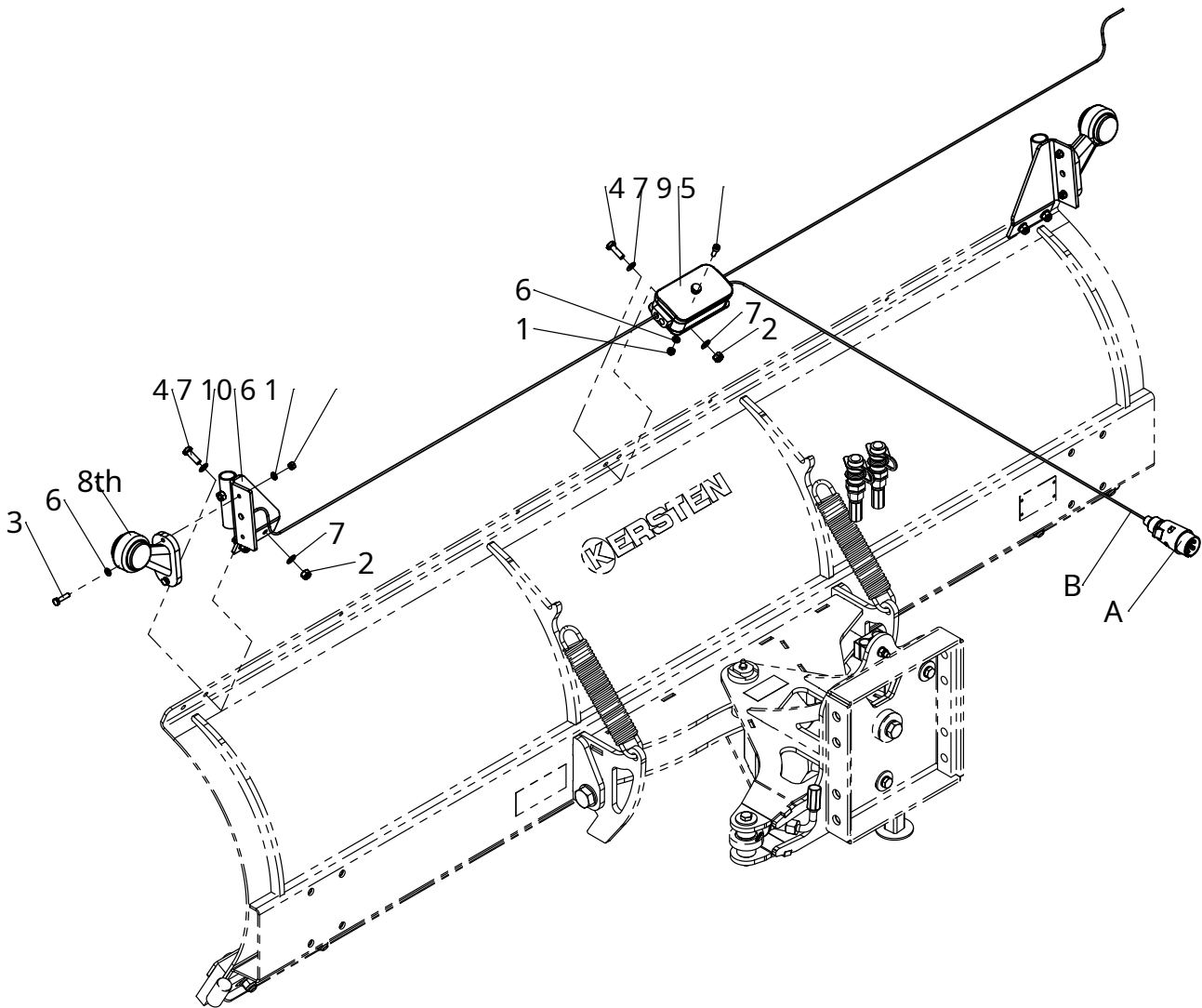


## 5.2 Overview of PU scraper strips



No.	Item No.	no.	designation
1	800 130 015	1	PU scraper bar 130
2	800 140 015	1	PU scraper bar 140
3	800 150 015	1	PU scraper bar 150
4	800 160 015	1	PU scraper bar 160
5	800 180 015	1	PU scraper bar 180
6	800 200 000	1	PU scraper bar 200

### 5.3 Position lights - S1210

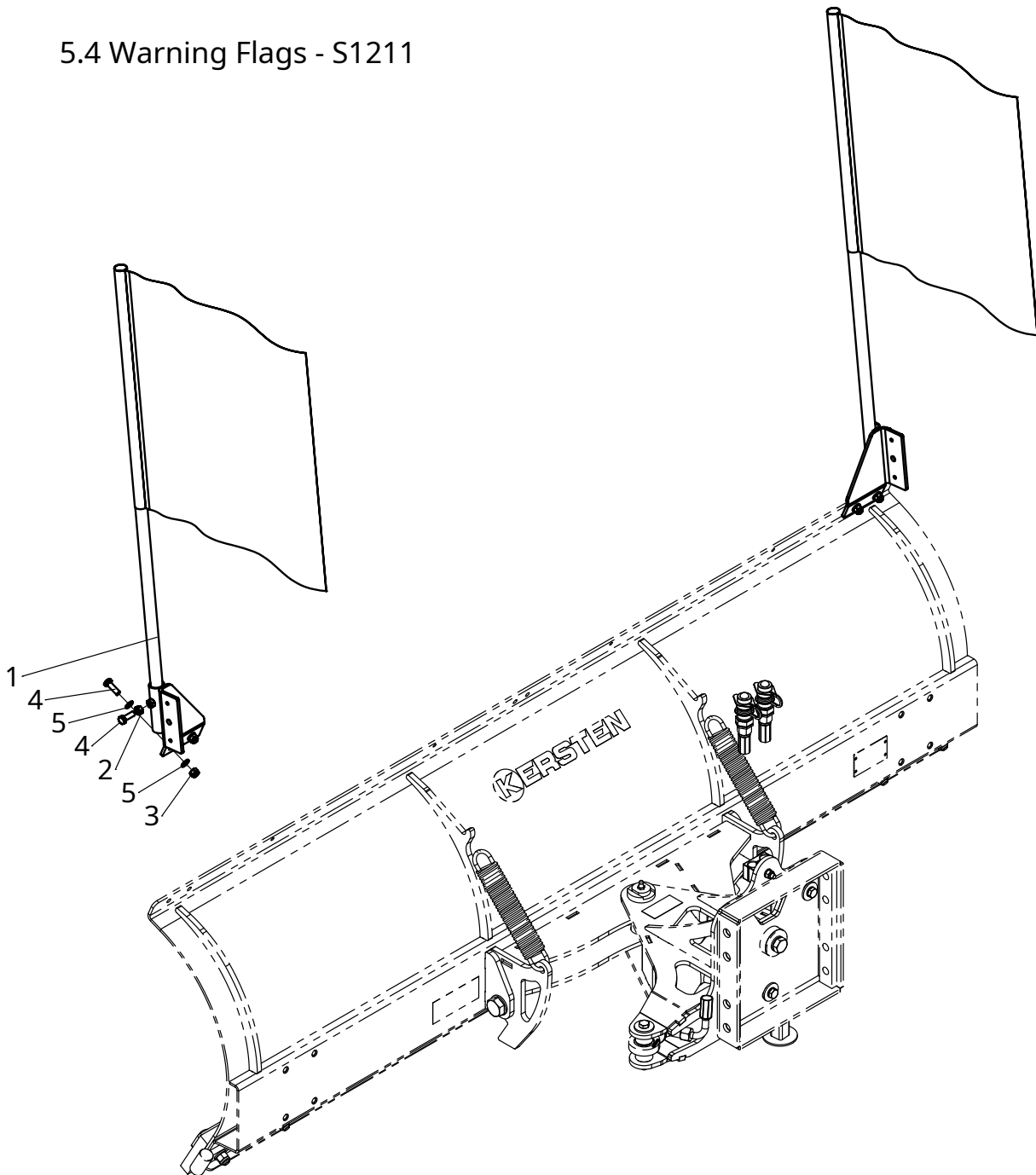


No.	Item No.	no.	designation
1	900 006 002	8th	stop nut
2	900 008 002	6	stop nut
3	901 006 025	4	Hexagon screw without shank
4	901 008 025	6	Hexagon screw without shank
5	901 806 016	4	Cylindrical screw with socket
6	905 106 000	12	washer
7	905 108 000	12	washer
8th	960 070 020	2	Marker light LED
9	961 070 142	1	Cable junction box, compl.
10	C0504 0	1	Flag holder left complete
11	C0504 1	1	Flag holder right complete
12	C1332 8th	1	Bracket junction box position lights
13	C1332 9	2	Cable for position lights

**cable list**

No.	Item No.	no.	naming
A	on request a ge	1	Connector depends on the tractor
B	on request	1	Cable depends on tractor

## 5.4 Warning Flags - S1211



No.	Item No.	no.	designation
1	221 000 215	2	warning flag
2	900 008 001	2	Skt. nut
3	900 008 002	4	stop nut
4	901 008 025	6	Hexagon screw without shank
5	905 108 000	8th	washer
6	C0504 0	1	Flag holder left complete
7	C0504 1	1	Flag holder right complete